

EnwaMatic® Mini Midi

ADVANCED WATER TECHNOLOGY



Side stream filtration and water treatment for smaller heating and cooling systems



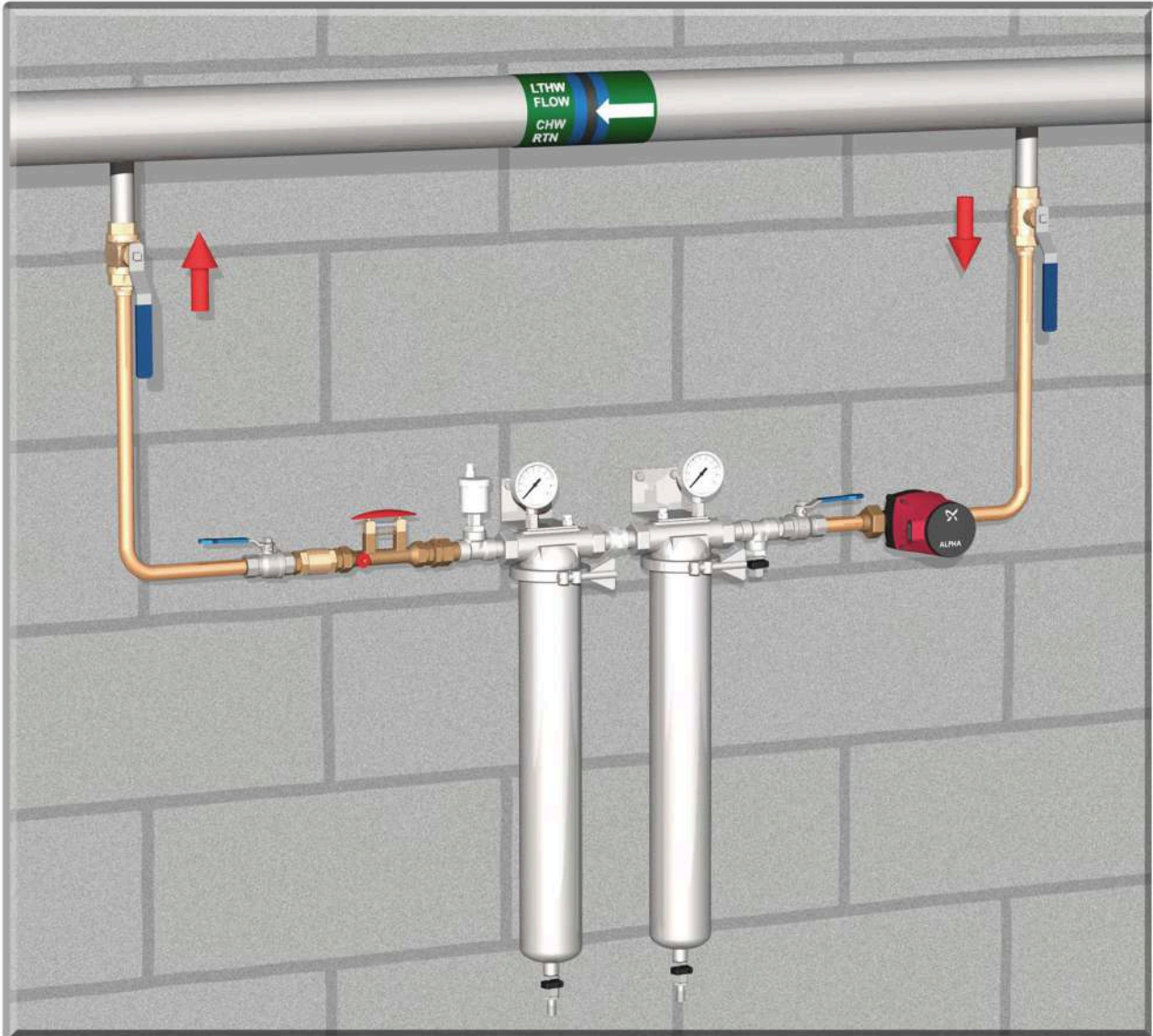
PROTECT
NEW BUILDS



ENHANCE
REFURBISHMENTS



RESTORE
EXISTING SYSTEMS



**Side stream filtration
to < 10 microns**



Corrosion inhibition



Scale control



**pH regulation
(9.0 - 10.5)**



Air separation



**Restriction of bacterial
growth**

CLIENTS IN SECTORS INCLUDING:

Hospitals
Manufacturing
Residential

Labs & Process
Schools & Colleges
Stately Houses

Universities
HM Prisons
Pharmaceutical

Rail Projects
Leisure Centres
Maritime Oil & Gas



Extends system lifespan

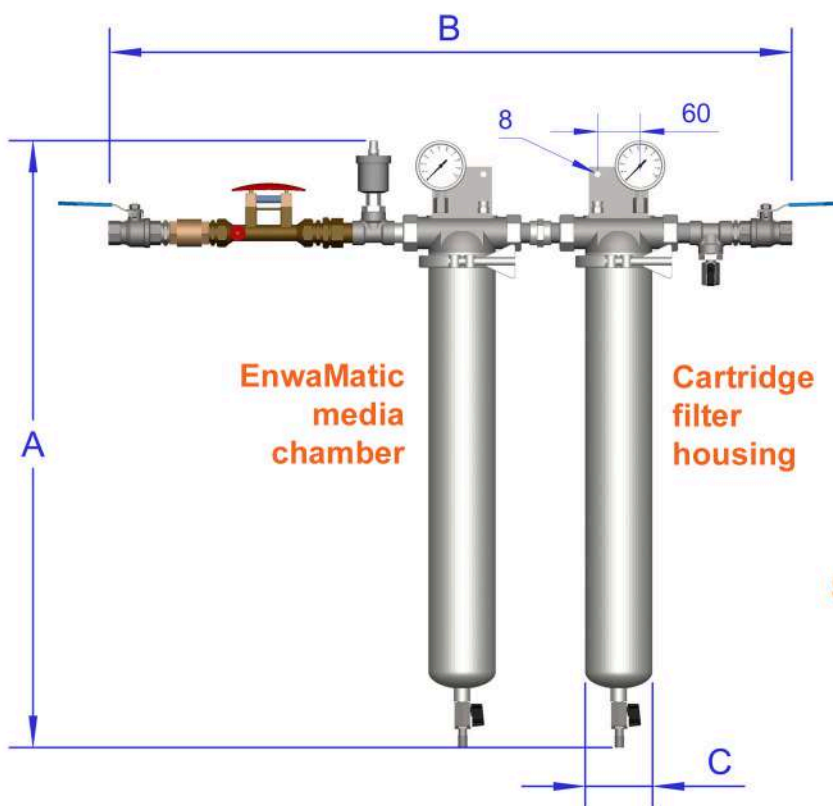
Improves reliability

Increases energy efficiency

Reduces maintenance cost

Green technology

Improves Health & Safety



Supplied with installation pack:

- Isolation valves
- Check valve
- Flow regulator
- Sample valve

Model	System Volume (Litres)	Flow (l/min)	Pipe Size (BSP)	A (mm)	B (mm)	C (mm)	Weight Empty (kg)	Weight Service (kg)	Clearance below (mm)
EM Mini	0 - 500	3	3/4"	510	900	86	7.4	8.7	415
EM Midi	500 - 1200	5	3/4"	760	900	86	9.4	12.1	665

Max Operating Pressure: 10 bar

Max Operating Temperature: 85 C

Glycol compatible to 40%

Filtration only options for systems with Aluminium components